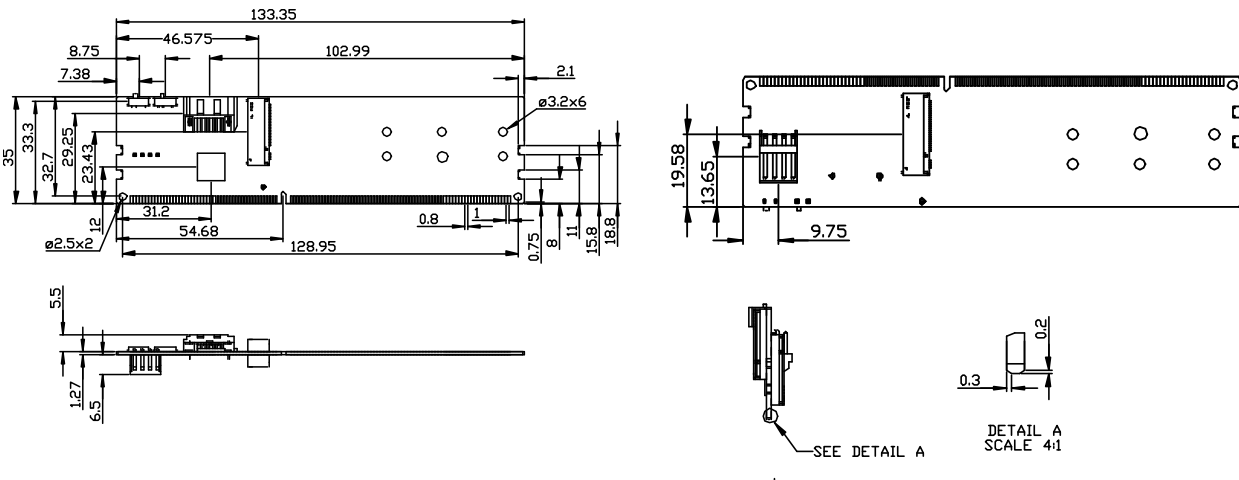




Features

- Supports SATA to dual SATA III Port Multiplier.
- Supports H/W RAID 0/1 over SATA.
- 30μ golden finger, 3 years warranty.
- Industrial design, manufactured in innodisk Taiwan

Mechanical Drawing



Specifications

Headquarters (Taiwan)
 9F., No.100, Sec. 1, Xintai 5th Rd., Xizhi Dist., New Taipei City, Taiwan (R.O.C.)
 Tel: +886-2-26963000
 Email: sales@innodisk.com

Branch Offices:
USA
usasales@innodisk.com
 +1-510-770-9421

Europe
eusales@innodisk.com
 +31-040-282-1818

Japan
jpsales@innodisk.com
 +81-45-594-7581

China
sales_cn@innodisk.com
 +86-755-21673689

www.innodisk.com

© 2014 Innodisk Corporation.
 All right reserved. Specifications are subject to change without prior notice.

March 24, 2014

Form-Factor	DDR3 240pin
Input I/F	SATA III
Output I/F	SATA III
Output Connector	M.2-B-M 2242/2260/2280 x 2
Bridge	JMS562
Max TDP	TBD
Dimension (WxLxH)	133.3 x 35.0 x 13.2mm, Weight:22 g
Temperature	Operation: STD: 0°C ~ +70°C Storage: -55°C ~ +95°C
Environment	Vibration: 5G @7~2000Hz, Shock: 50G @ 0.5ms
Notes	[J1:J2] RAID0: 2:2 RAID1: 1:2 PM: 1:1

Order information

E3SS-32R1-C1
 DDR3 to Dual SATA III RAID Module