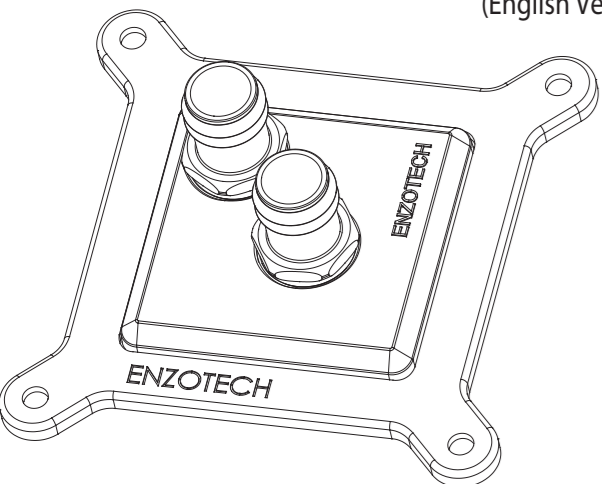


SCW-REV.A

User's Manual

(English Version)



*Please read this manual thoroughly before installation

Precautions

-Test product for leakage away from system before installing. All products are leak-tested prior to shipping; however, damage can occur during shipping and subsequent handling. Once no leakage is confirmed, proceed with the installation and use. Always check your circuit for leaks prior to powering-up system.

-Never use harsh chemicals to clean your water block. Alcohol or any other harsh solvent may cause damage to certain materials used in the manufacturing of the water block.

-keep this product and its associated installation items away from children.

CAUTION!

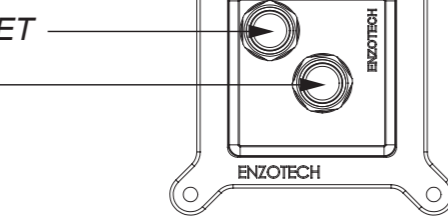
Total thread length greater than 6.5 mm / 0.256 inch will cause damages to the top (cap). Enzotech will not guarantee this type of damage due to human factor.



6.5 mm/0.256 inch

1.Features:

- 1) Super high density, radial pattern, micro-pin design. (0.5mm from pin to pin), provides maximum surface exposure area for superior cooling performance.
- 2) Direct injection water flow design, delivers coolant straight to CPU core. Eight return holes pulls heated water away for extremely fast heat dissipation.
- 3) Metallic Mirror coating gives elegant style and superb finish.
- 4) Water block's base is machined to .0003 per inch run-out which optimizes surface contact and maximizes thermal conductivity performance.
- 5) 100% leak tested and inspected direct from factory.



OUTLET
INLET

2.Specification

- 1.Dimension(L x W x H): 58x58x23.3mm
- 2.Base(L x W x H): 50x50x7mm
- 3.Total weight:510g

3.Components

1)Common Components

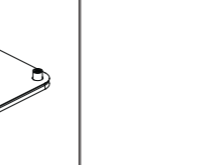
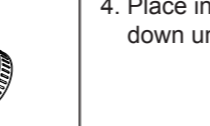
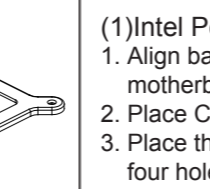
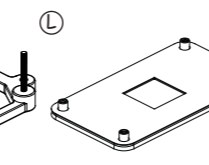
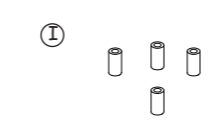
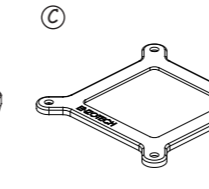
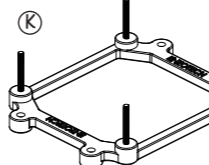
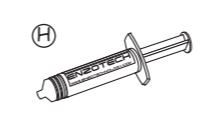
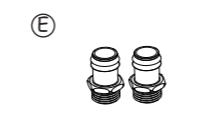
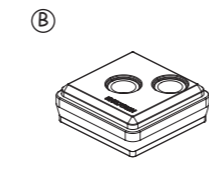
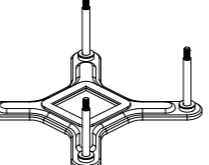
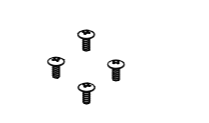
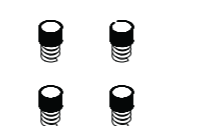
- A) One (1)User's Manuel
- B) One (1)CPU Water Block
- C) One (1)Mounting Bracket
- D) Four(4)Innerspring Screws
- E) Two (2)1/2" HI-Flow Hose Barbs
- F) Two (2)Tube Clamps
- H) One (1)*Artic Silver® Céramique™* Thermal Grease (OEM)

2)Components for Intel (Socket 775)

- J) One (1)Backplate for Socket 775

3)Components for AMD (AM2+/AM2/940)

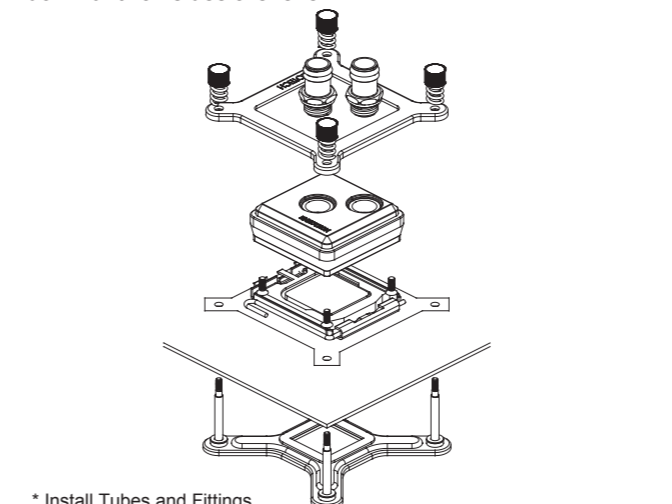
- G) Four (4)Clip Bolts
- I) Four (4)Nylon Spacers
- K) One (1)Type-S Retention Module (AM2+/AM2/940)
- L) One (1)Backplate for AM2+/AM2/940



4.Installation

(1)Intel Pentium 4-775

1. Align back plate for "Socket 775" on the back side of the motherboard.
2. Place CPU Water block on center of the CPU.
3. Place the mounting bracket over the water block. There are four holes on the mounting bracket to put the metal rods through.
4. Place innerspring screws on the four metal rods and fasten down until all sides are level.

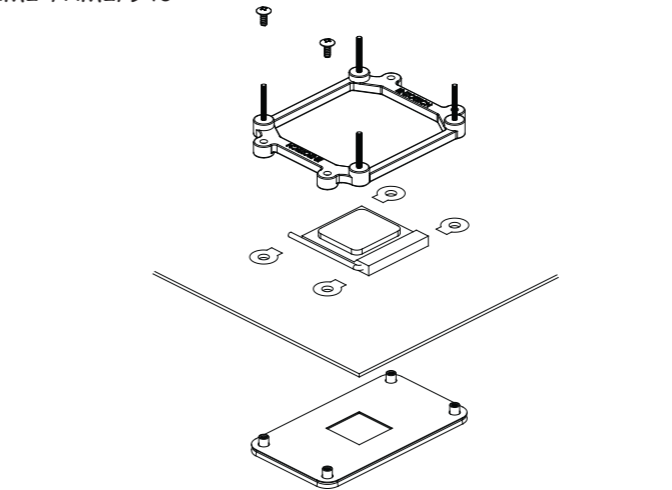


* Install Tubes and Fittings
Please refer to Tubes and Fittings installations on page (8)

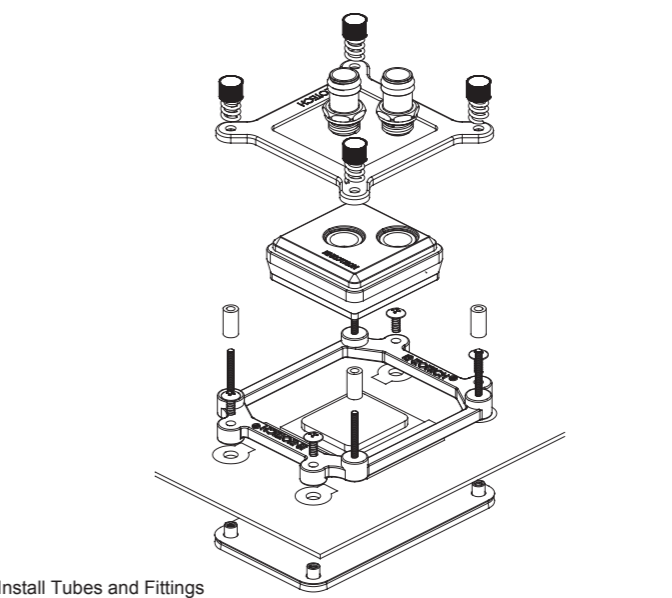
(2) AMD Socket AM2+/AM2/940

1. Remove the original Clip support for the AMD "socket AM2/940" from the motherboard.
2. Align the Type-S (AM2+/AM2/940) Retention Module with the mounting holes on the motherboard and fasten them together using the Retention Module mounting bolts.

AM2+/AM2/940



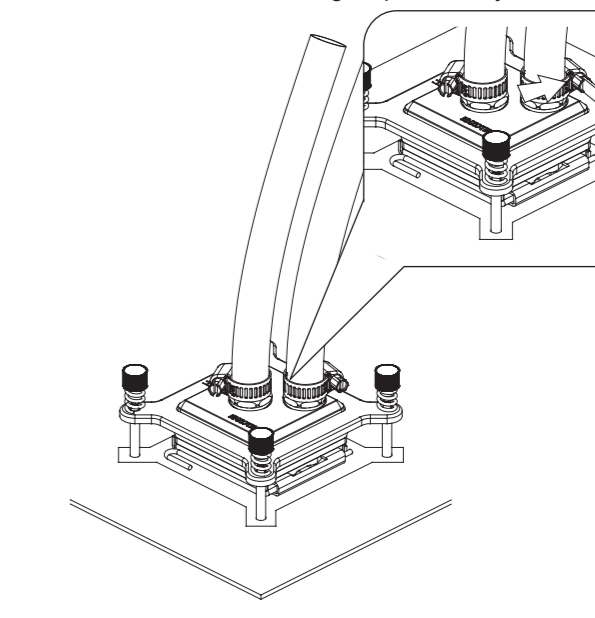
3. Place Nylon Spacers through the 4 metal rods on the Type-S (AM2+/AM2/940) Retention Module.
4. Place water block on center of the CPU.
5. Place the mounting bracket over the water block. There are four holes on the mounting bracket to put the metal rods through.
6. Place innerspring screws on the four metal rods and fasten down until all sides are level.



* Install Tubes and Fittings
Please refer to Tubes and Fittings installations on page (8)

5.Tubes and Fittings installations

1. Fit tubes over water block's hose barb fittings with gaskets. Secure tubes using the supplied hose clamps.
2. Tighten the hose clamp using a screwdriver. Make sure clamp is tightened snugly, do not over-tighten! Always check for leaks before turning on power to system!



6.WARRANTY

Our products are guaranteed for 12 months from the date of delivery to the final user against defects in materials or workmanship. During this period, Product will be repaired or have parts replaced, provided; (I) the products is returned to the agent from which it was purchased; (II) the product has not been misused, handled carelessly or other than in accordance with any instructions provided with respect to its use. This guarantee does not confer rights others than those expressly set out above and does not cover any claims for consequential loss or damage. This guarantee is offered as an extra benefit and does not affect your statutory rights as a consumer.

7.Important Disclosures:

Enzotech is not responsible for any damages due to external causes,including but not limited to, improper use, problems with electrical power, accident, neglect, alteration,repair, improper installation, or improper testing.